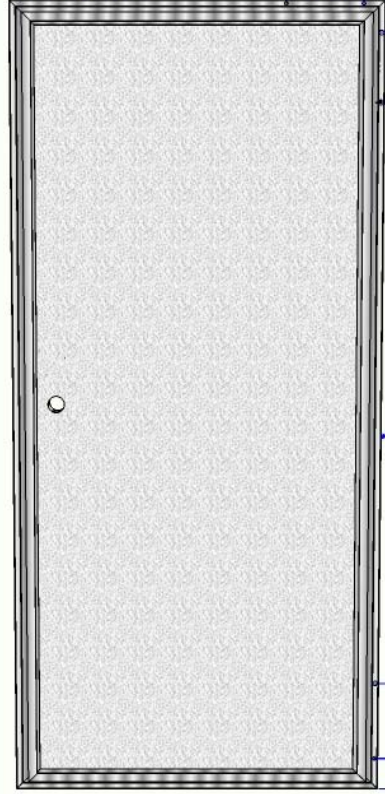


INSTALLATION METHOD  
100 DD SINGLE DOOR  
ELEVATION & ANCHOR  
LAYOUT

← ELEVATION EXTERIOR VIEW

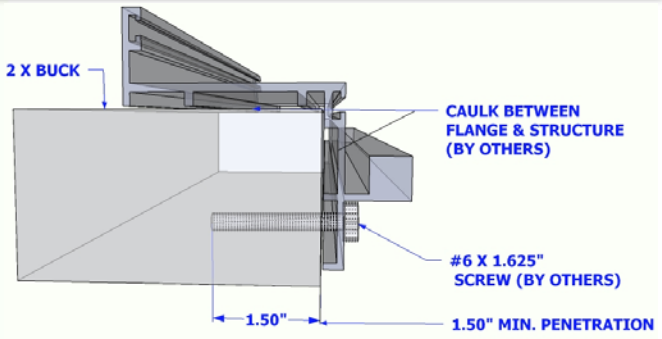
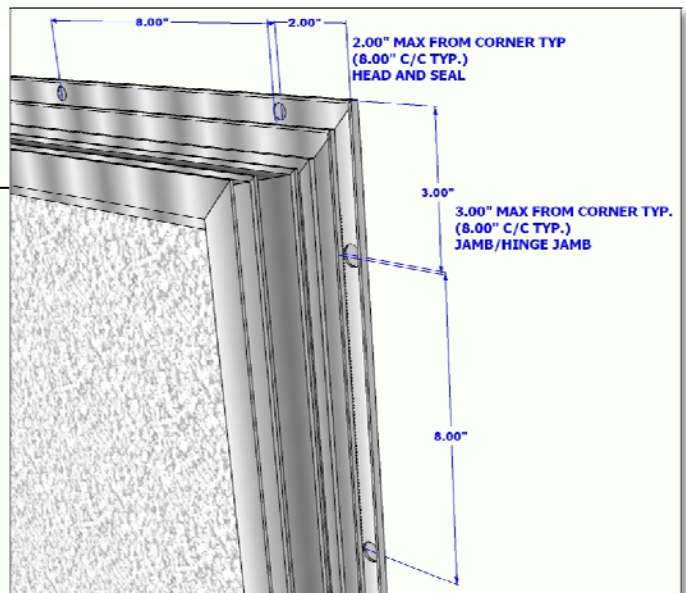
**FLANGE ANCHOR INSTALLATION VIEW**

2.00" MAX FROM CORNER TYP  
(8.00" C/C TYP.)  
HEAD AND SEAL



FLANGE ANCHOR  
INSTALLATION POINT

3.00" MAX FROM CORNER TYP.  
(8.00" C/C TYP.)  
JAMB/HINGE JAMB



SCALE: NTS  
DWN BY: AMM  
CHK BY: KEA  
DATE: 08/06/13

TITLE:  
100 DD SINGLE DOOR ELEVATION & ANCHOR  
LAYOUT

PREPARED BY:  
POCAHONTAS ALUMINUM COMPANY, INC.  
2001 INDUSTRIAL DRIVE  
POCAHONTAS, AR 72455  
PH: 870-892-3689 FAX: 870-892-9858

REVISIONS			
NO.	DESCRIPTION	BY	DATE

COPYING OR  
DUPLICATION IS  
PROHIBITED WITHOUT  
WRITTEN PERMISSION  
FROM POCAHONTAS  
ALUMINUM  
COMPANY, INC.

